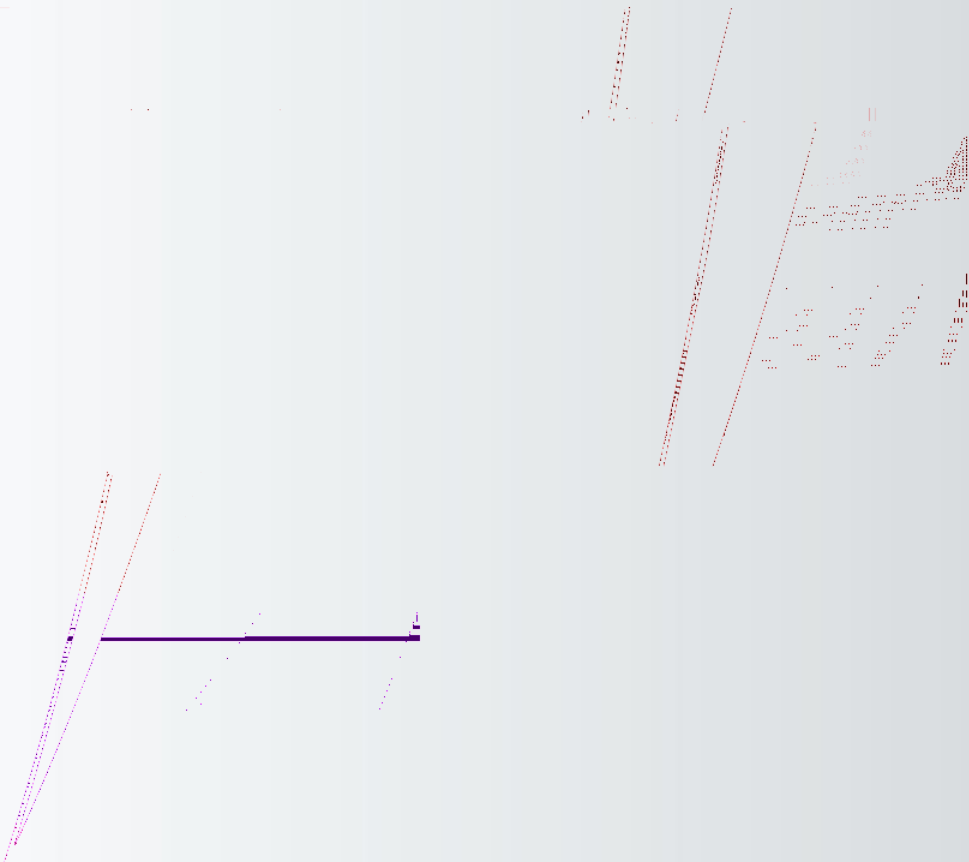


RG-EG350



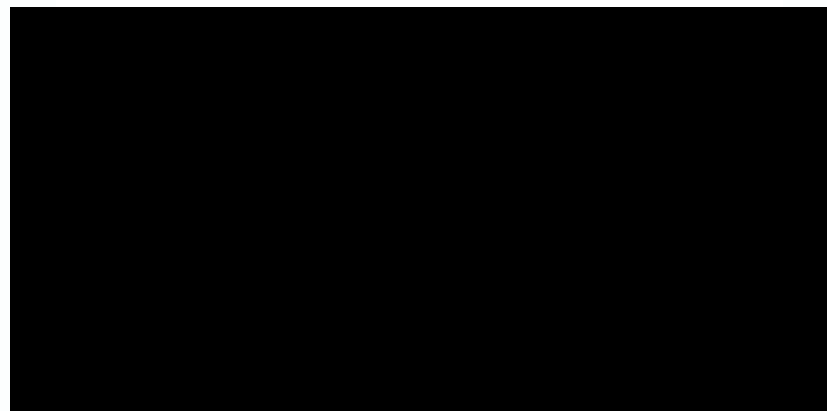
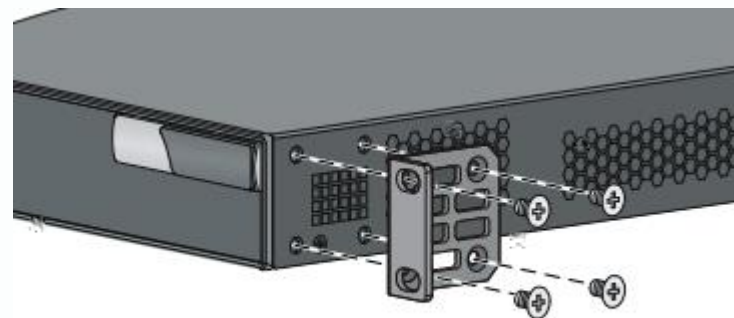


I

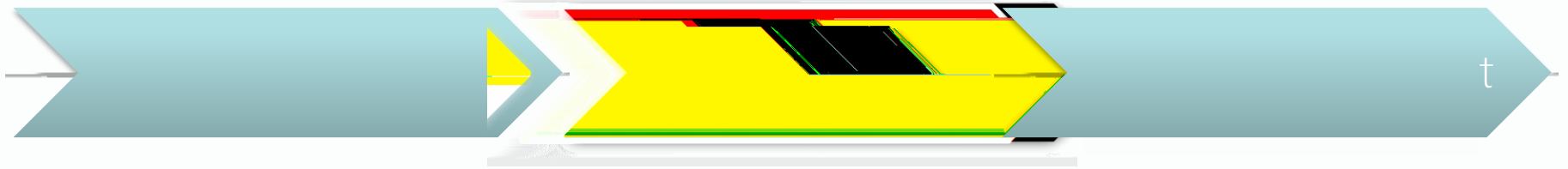


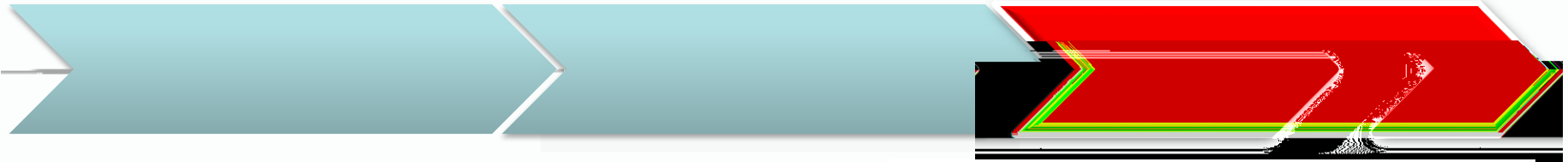
I

19



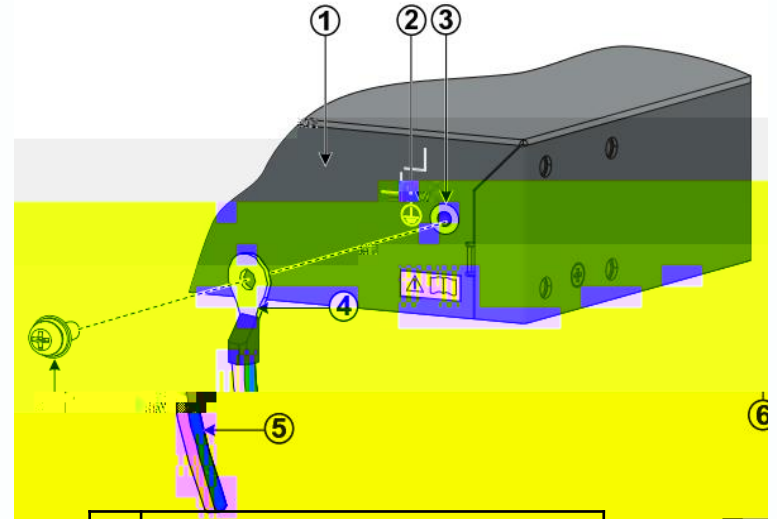
I





OT

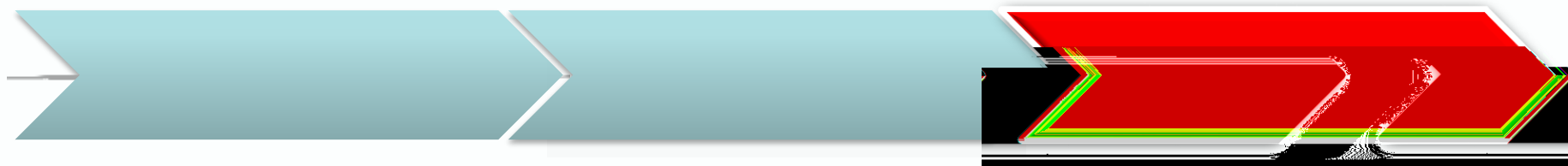
OT



1	
2	
3	
4	

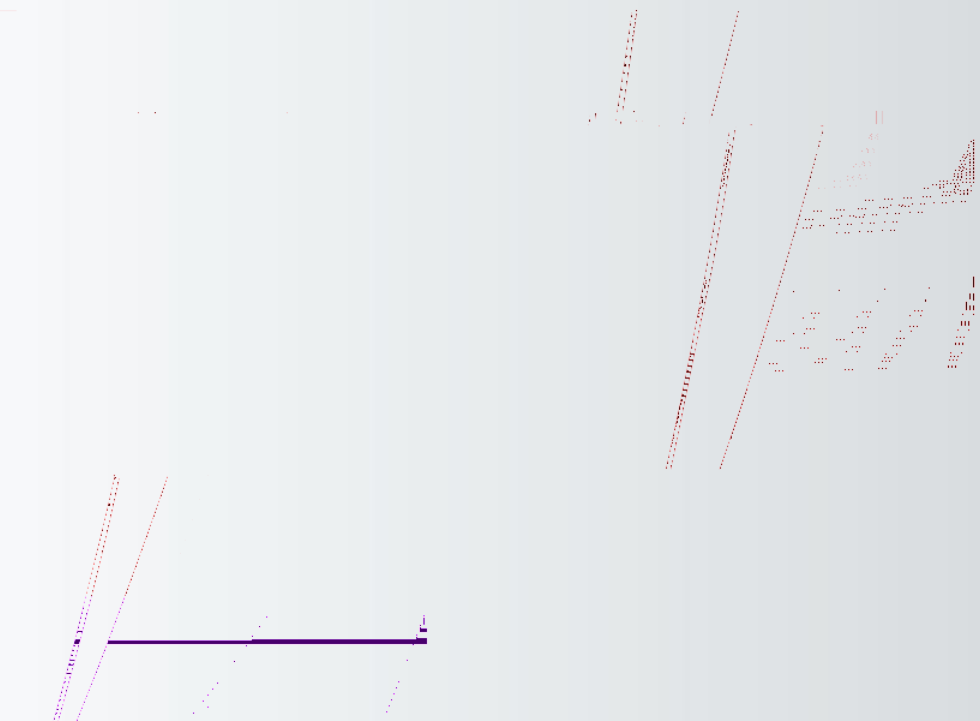
PE

PE



100-240V~/50-60Hz

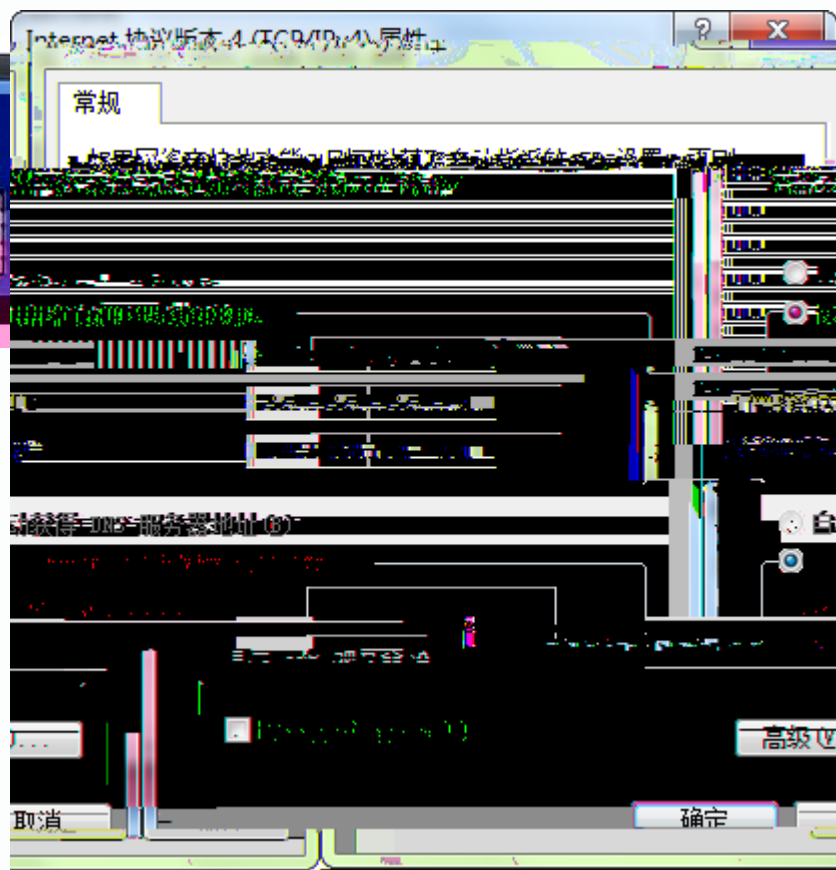
(PWR)

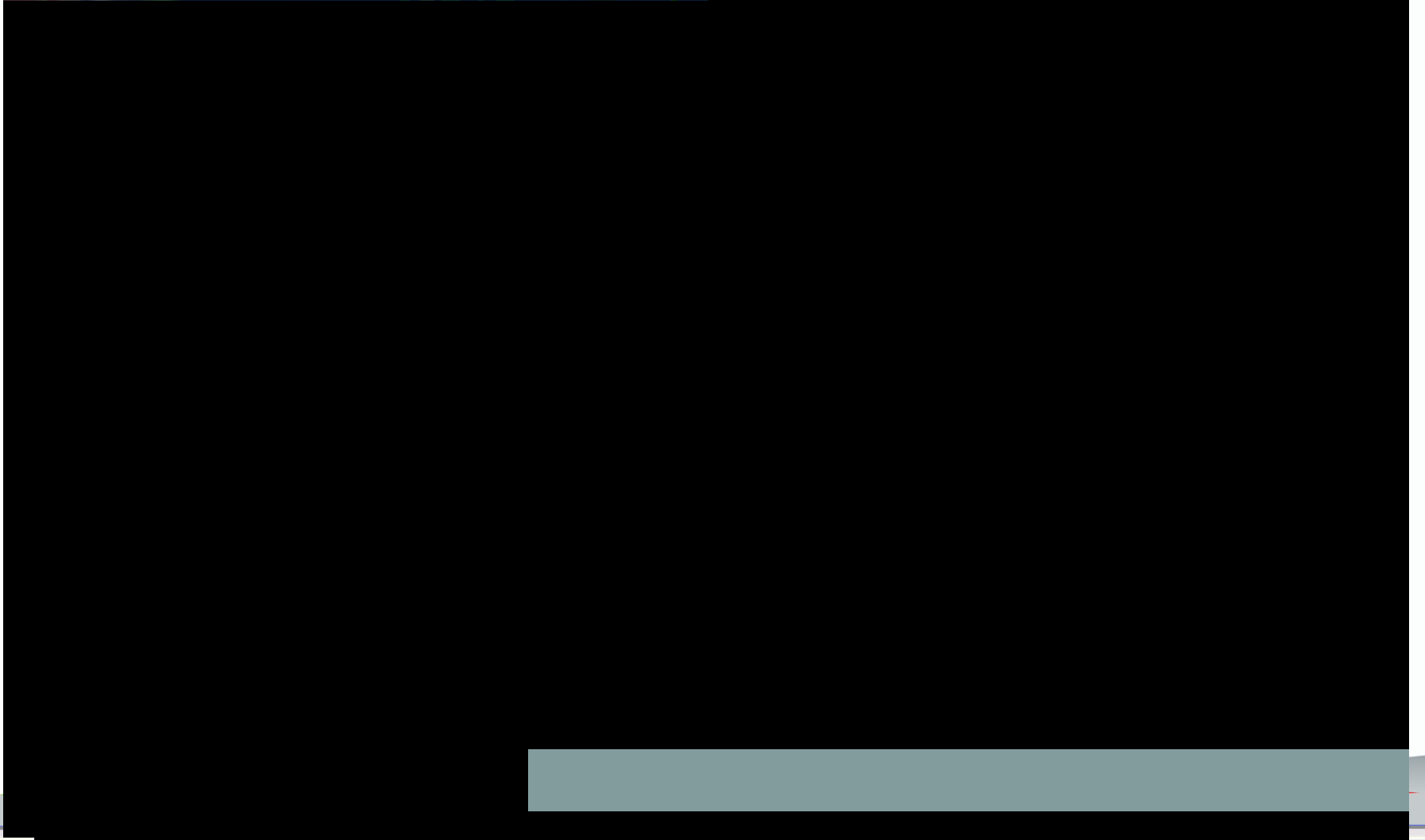


Web

pc	0	ip	192.168.1.2
192.168.1.1	192.168.1.0		
ie	http://192.168.1.1		
admin	admin		
		0	ip 192.168.1.1
admin/admin			
	MGMT		192.168.1.1
admin/admin			

Web





ip

NAT



```
Gi0/0 ip  
192.168.1.1/24
```

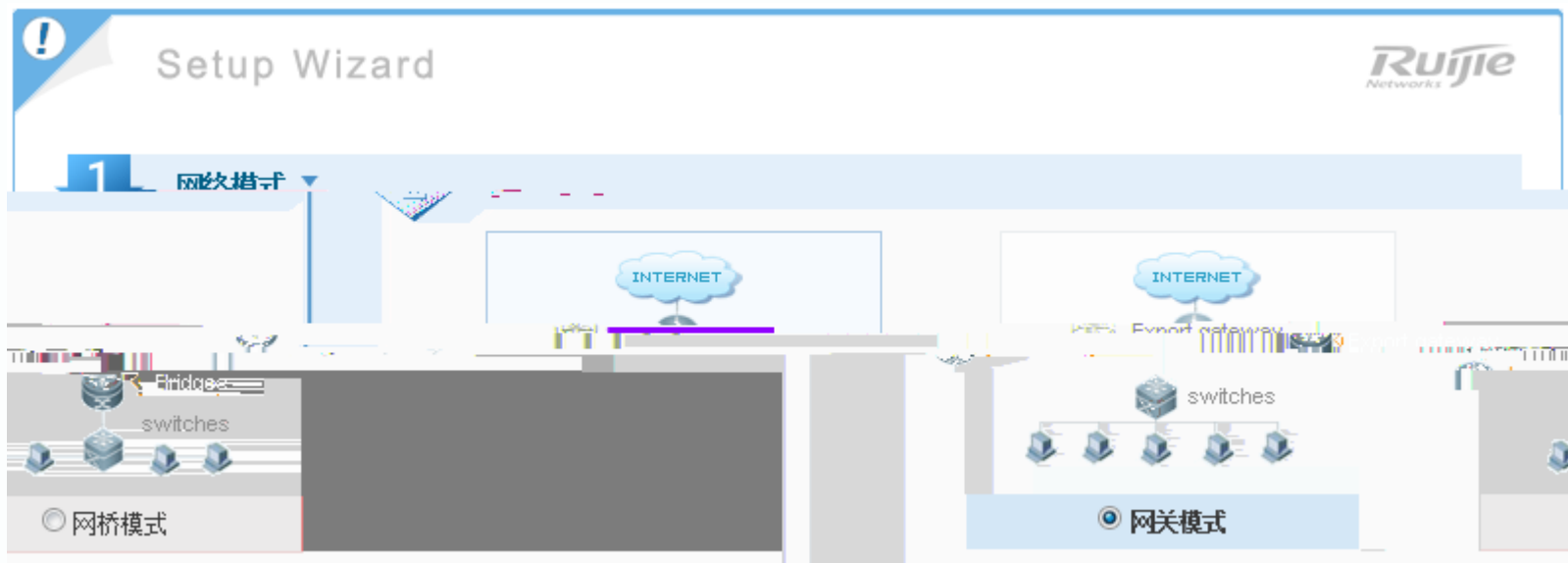
```
Gi0/5 ip  
192.168.33.169/24  
192.168.33.1
```

```
Gi0/6 ip  
192.168.34.169/24  
192.168.34.1
```

EG



1



MGMT

2

2 接口配置

内网口配置: Gi0/0 Gi0/1 Gi0/3 Gi0/4

Gi0/0: 192.168.1.1 - 255.255.255.0

外网口配置: Gi0/2 Gi0/5 Gi0/6

Gi0/5: 静态IP地址 - 20 Mbps

192.168.33.169 - 255.255.255.0 - 192.168.33.1

电信 (网络服务提供商)

ip pppoe dhcp

20M

30M

5.255.255.0 - 192.168.34.1

网络服务提供商)

192.168.34.169 - 25

联通 (网络服务提供商)

Gi0/5

Gi0/6

3

2 网络卫士

流控方案: 保证办公应用 (企业) 返回已选方案

DNS、安全协议、

关键/保证

- 保证办公应用 (企业)
- 游戏优先 (网吧)
- 保证上网和游戏 (酒店)
- 扼制P2P/视频 (普教)

话、电子邮件协议、普通网页浏览、普通网页浏览明细、视频会议

普通/其他类

- 网络游戏 MOBILE、游戏 MOBILE、WEB MOBILE、网银 MOBILE、证券 MOBILE、网上银行
- 银行 MOBILE、微博、RFC、ICMP-DETAIL、IP-RAW、IP协议组

抑制类

- 网络游戏软件、视频流媒体软件、P2P应用软件、WEB应用、HTTP下载、网络硬盘、视频影音
- MOBILE、下载工具 MOBILE、社交 MOBILE、网盘 MOBILE、购物网页

阻断类

- 非法DNS、非法类网页



4



NAT

DNS

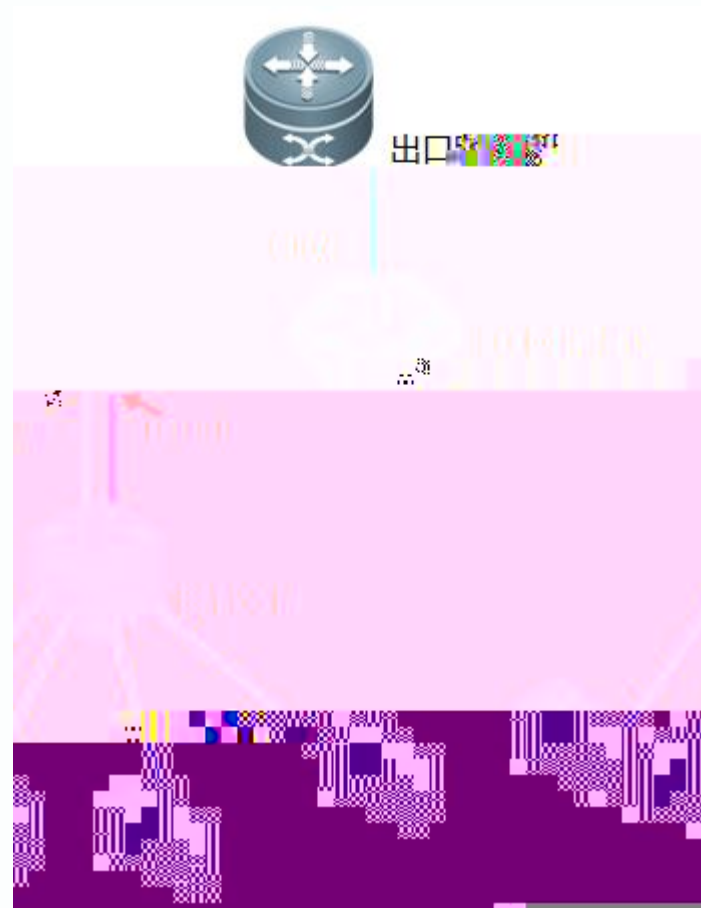


Gi0/3

Gi0/5

MGMT

MGMT ip :
192.168.33.169/24
192.168.33.1



1

The screenshot displays the 'Setup Wizard' interface for Ruijie Networks. At the top, the title 'Setup Wizard' and the Ruijie Networks logo are visible. A progress bar indicates the current step is '1 网络模式' (Network Mode). The main area is divided into two panels. The left panel, titled '网桥模式' (Bridge Mode), shows a network topology with an 'Export gateway' at the top, followed by 'Bridges', then 'switches', and finally several host icons at the bottom. A radio button next to '网桥模式' is selected. The right panel, titled '网关模式' (Gateway Mode), shows a similar topology with an 'Export gateway' at the top, followed by 'switches', and host icons at the bottom. A radio button next to '网关模式' is unselected. Below the network diagrams, the text 'MGMT' is centered. At the bottom of the screen, the Ruijie logo and the website address 'www.ruijie.com.cn' are visible.



2



```
ip          MGMT ip
           Gi0/3  Gi0/5
Gi0/4  Gi0/6          bypass
```

3

The screenshot displays the 'Traffic Control' (流控) configuration interface. At the top, a dropdown menu for 'Traffic Control Scheme' (流控方案) is open, showing options: 'Guarantee Office Applications (Enterprise)' (保证办公应用 (企业)), 'Game Priority (Internet Cafe)' (游戏优先 (网吧)), 'Guarantee Internet and Games (Hotel)' (保证上网和游戏 (酒店)), and 'Restrict P2P/Video (General Education)' (扼制P2P/视频 (普教)). The 'Guarantee Office Applications (Enterprise)' option is selected. To the right of the dropdown is a button labeled 'Return to Selected Scheme' (返回已选方案).

On the left side, there are labels for 'DNS, Security Protocols, and Safety Agreements' (DNS、安全协议、) and 'Key/Guarantee' (关键/保证). Below these, there are sections for 'Priority/Restriction' (优先级/扼制) and 'Restriction Type' (抑制类). The 'Priority/Restriction' section lists various protocols and services such as 'MOBILE', 'WEB', 'HTTP', 'P2P', and 'VIDEO'. The 'Restriction Type' section lists categories like 'Network Game Software', 'Video Streaming Media Software', 'P2P Application Software', 'WEB Applications', 'HTTP Downloads', 'Network Hard Disks', and 'Video Audio'. At the bottom, there is a 'Block Type' (阻断类) section with 'Illegal DNS' and 'Illegal Websites' (非法类网页).

4



DNS



www.ruijie.com.cn

www.ruijie.com.cn/service.aspx

support.ruijie.com.cn

webchat.ruijie.com.cn

4008-111-000