





| AP AM5528



RG-AM5528

10cm

3

| AP AM5528



RG-AM5528

10

RG-AM5528

| AP AM5514



RG-AM5514

10cm

| AP AM5514



RG-AM5514

RG-AM5514





AP



|

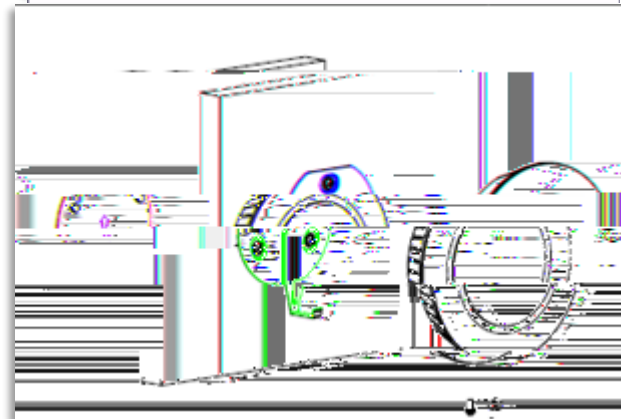
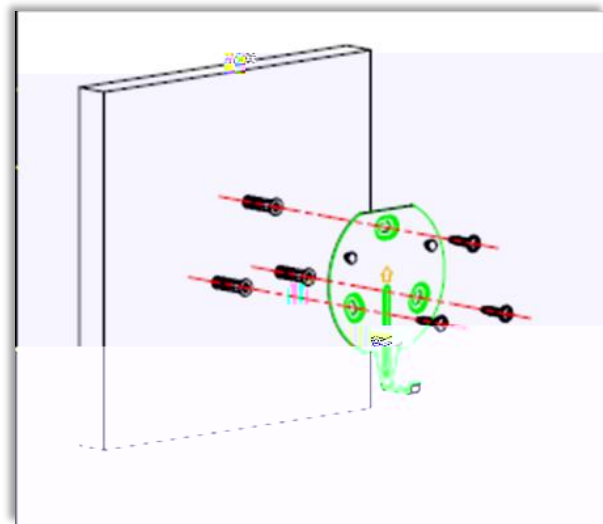
AP



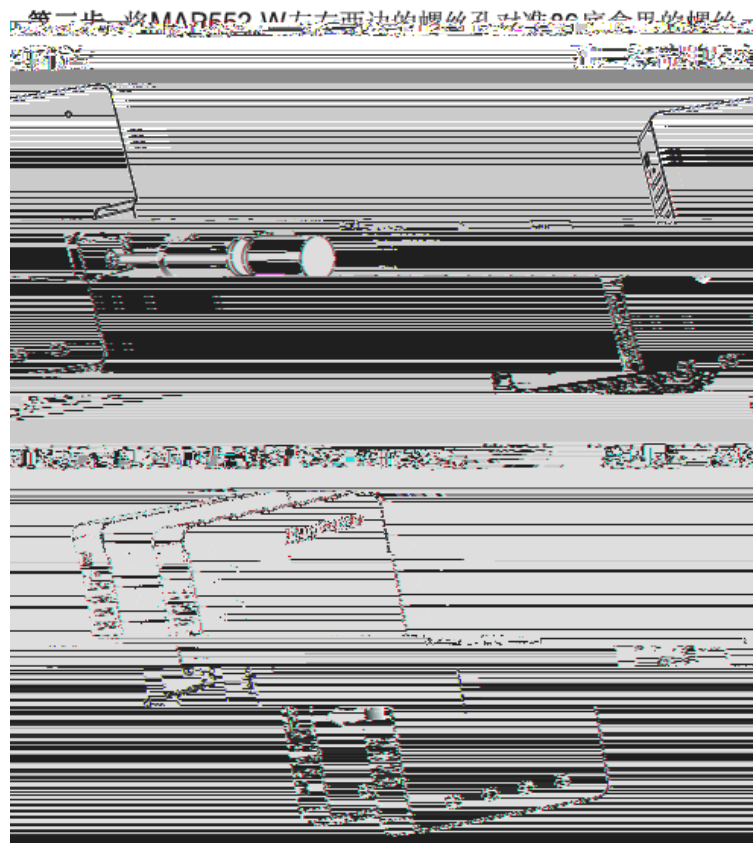
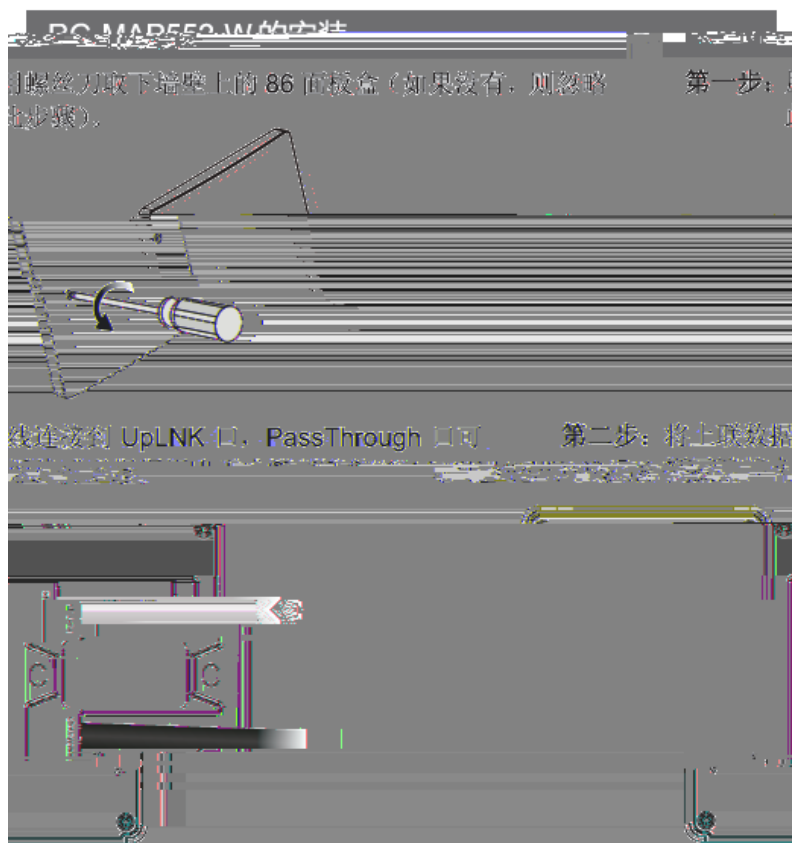
天



MAP552



MAP552-W





AP

2.5Hz AP
0.25Hz 2s 2s AP
MS 4 3.8s 0.2s
AP MS
(2.5Hz): LED ON





```

+
AP          AP          AP          AC
AP          AP          ruijie enable
apdebug
AP          AP session slot slot-id          AP
AP          AP          AP          debug
AP show dvmg stae          AP

```

```

Ruijie#show dvmg state
index slot-id type   ssa state   user dev state online time   system uptime  uifc
-----
5700  1      13   CARD  Run        Online    0-2-2-21    0-2-2-49      5      5869 6c14

```



```

+      AP      AP      AP  AP
      AP      AC      AP
FLASH      11.1 B9P2      AP      AP
      AP      AM5514&AM5528      AP(MAP552-W
MAP552\MAP552-S )      AC      AP      AP
AP      AP
Ruijie(config)# ac-controller
Ruijie(config-ac)# active-bin-file am5528.bin
Ruijie(config-ac)# active-bin-file map552s.bin
Ruijie(config-ac)# ap-image auto-upgrade

```

```

Ruijie#show tftp-server updating-list
IP Address      Interface      File Name      Type      File Size
-----

```


www.ruijie.com.cn

www.ruijie.com.cn/service.aspx

support.ruijie.com.cn

webchat.ruijie.com.cn

4008-111-000